

# Quick Start Guide

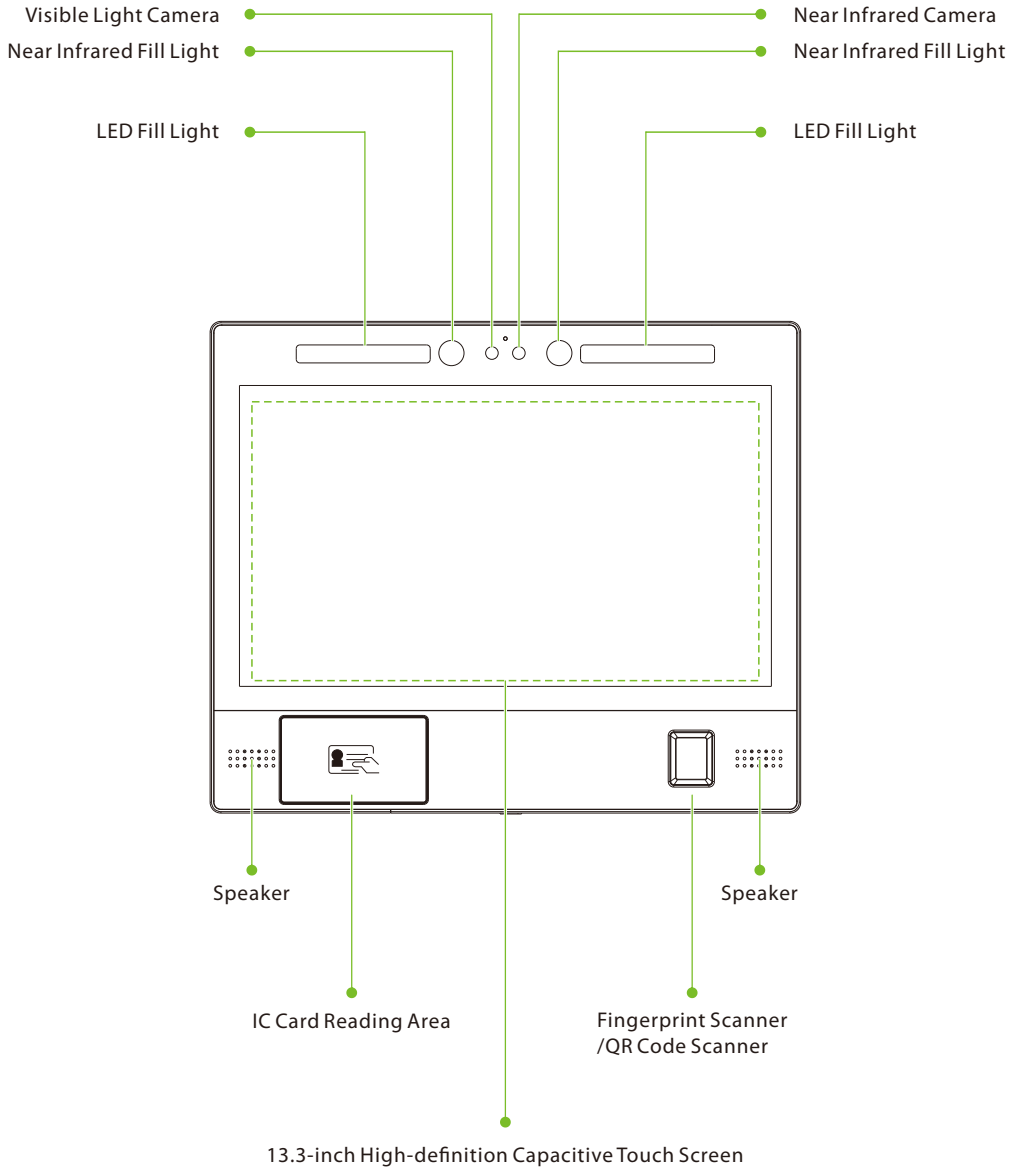
---

FaceKiosk-H13 Series

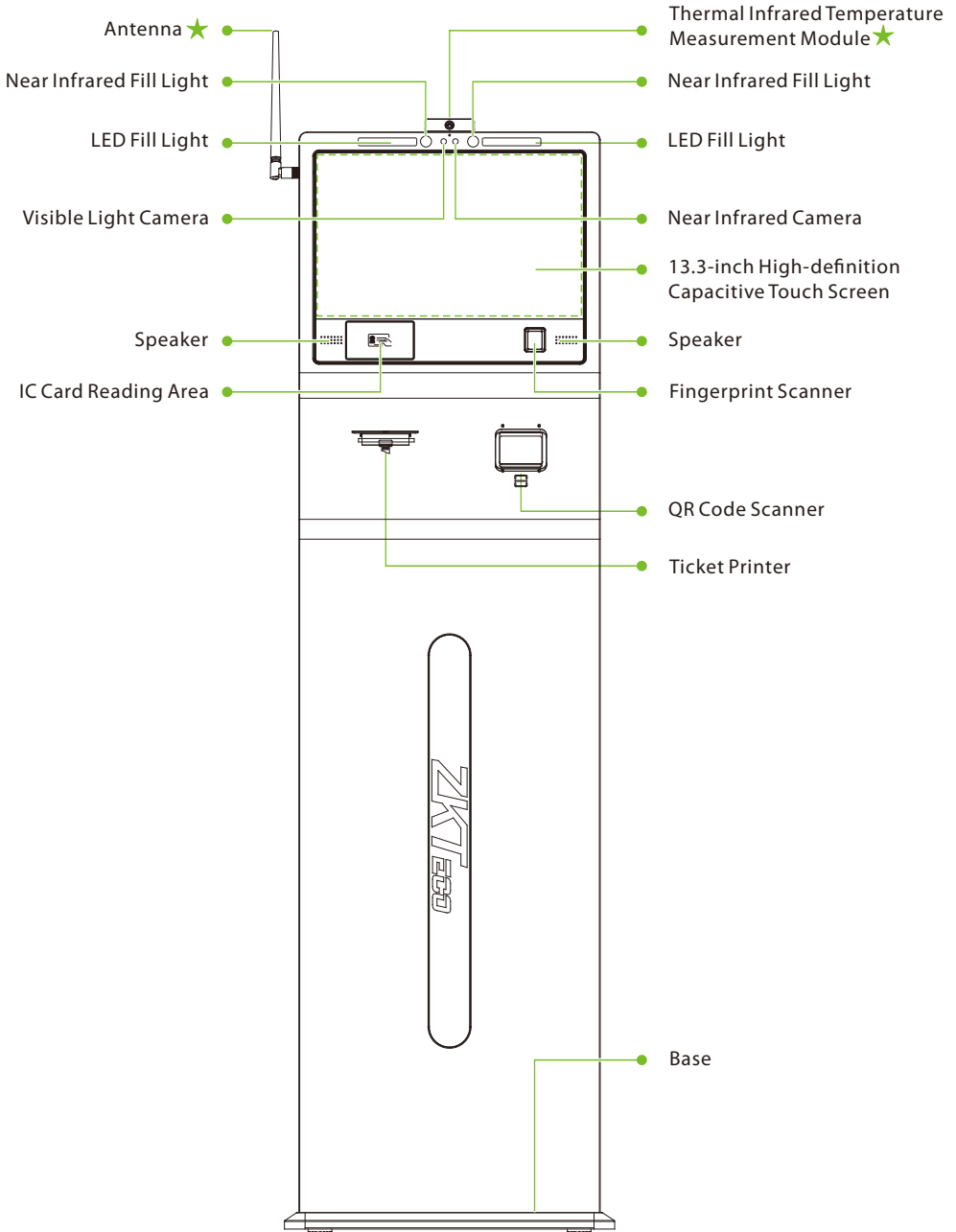
Version: 2.2

# 1. Components

## FaceKiosk-H13A



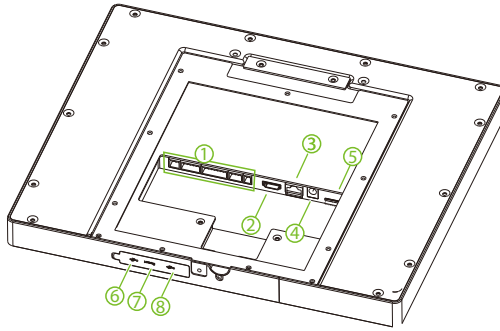
# FaceKiosk-H13C/FaceKiosk-H13C[TD]



**Note:** Not all products have the function with ★, the real product shall prevail.

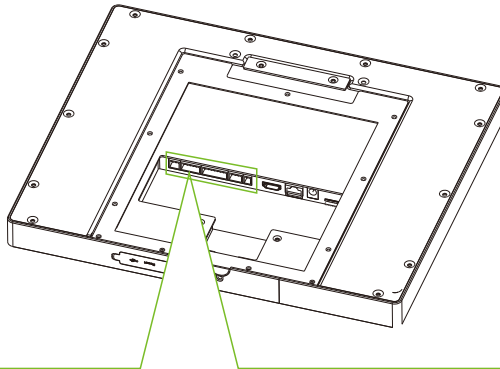
## 2. Product Interface

The terminals on the back of the FaceKiosk-H13 series are the same.



①	②	③	④
Connecting Terminal	Video Out Port	Network Port	Power Interface
⑤	⑥	⑦	⑧
SIM Card Slot	USB Port	Reset Button	USB Port

On the back of the device, there are five rows of slots, which are J1, J2, J3, J4, and J5 from left to right. J1 is connected to the alarm, J2 is connected to the door, J3 is connected to the external device, J4 is connected to the Wiegand input, and the J5 is the power output port reserved for a Printer.



NO	NC	COM	SEN	GND	BUT	NO1	COM1	NC1	485B	485A	GND	TXD	RXD	WD0	WD1	GND	12V	GND	INW/D0	INW/D1	GND	12V
----	----	-----	-----	-----	-----	-----	------	-----	------	------	-----	-----	-----	-----	-----	-----	-----	-----	--------	--------	-----	-----

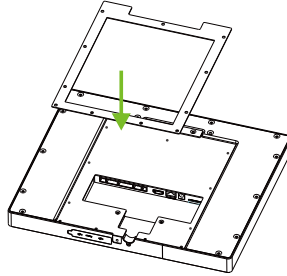


# 3. Installation Procedure

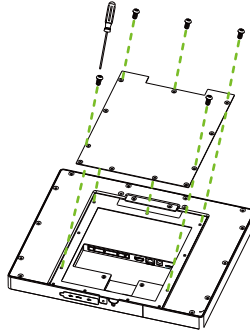
## FaceKiosk-H13A

Before installation, connect the wire to the device and move it through the device's lower aperture.

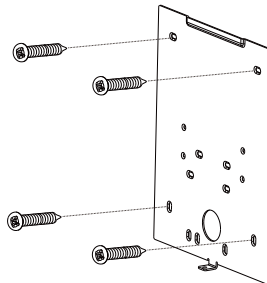
- 1 Align the backplate to the screw holes on the back of the device.



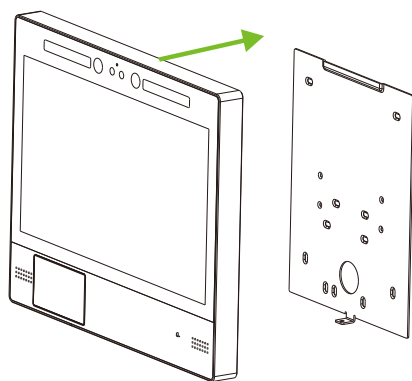
- 2 Secure the plate with the screws (11 pcs) to the back of the unit.



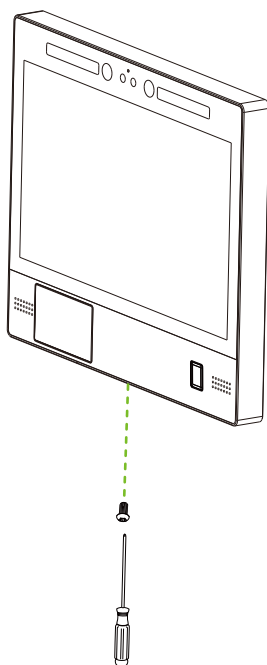
- 3 Place the rear panel at an appropriate height from the ground. Drill the holes on the wall and fix it.



- 4 Set the device at the desired position on the rear panel that is fixed on the wall.



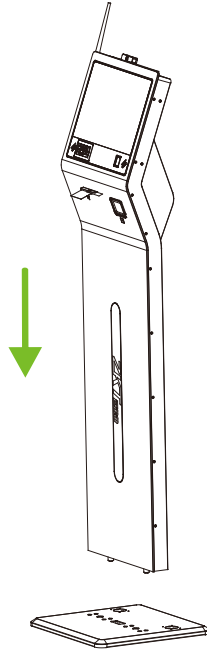
- 5 Secure the Kiosk by assembling the device and the rear panel with the bottom screw.



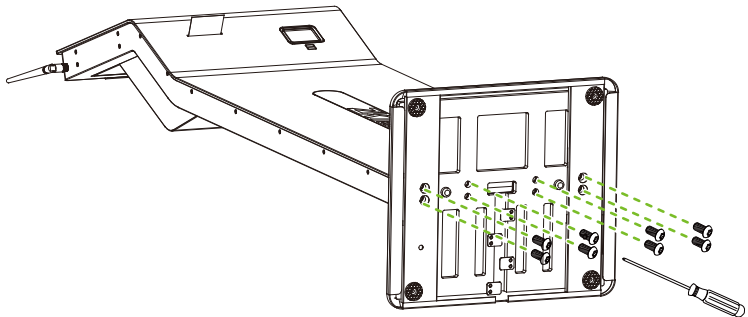
## FaceKiosk-H13C/FaceKiosk-H13C[TD]

Before installation, connect the wire to the device and move it through the device's lower aperture.

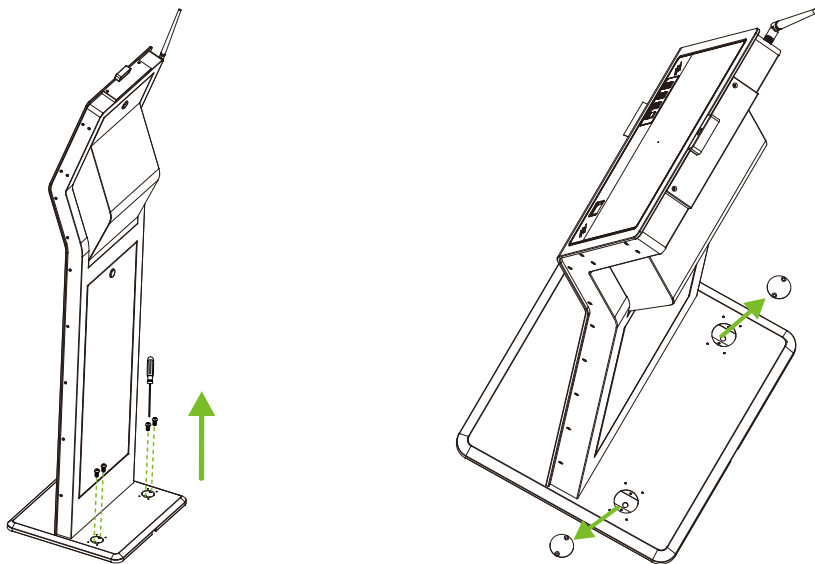
- 1 Take the device and the base from the box. Fix the device into the corresponding slot of the base plate. Take the FaceKiosk-H13C[TD] as an example:



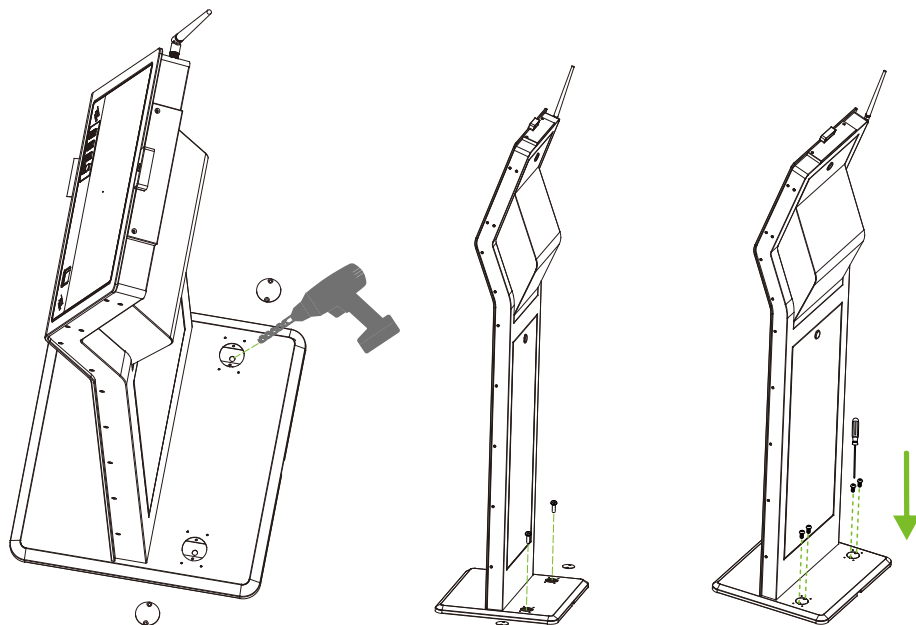
- 2 Cautiously incline the device horizontally and assemble the device over the base with the screws (8 pcs) from the bottom of the base.



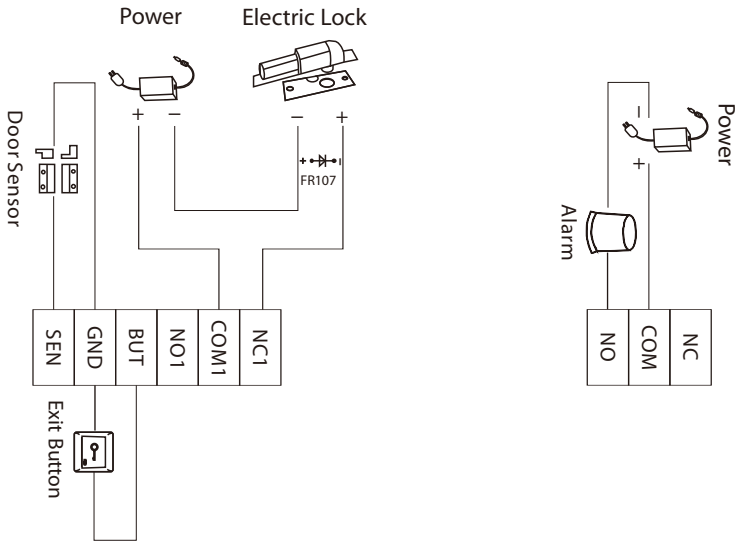
- 3 Place the device in the right position and remove the four screws that secure it to the base, remove the metal cover.



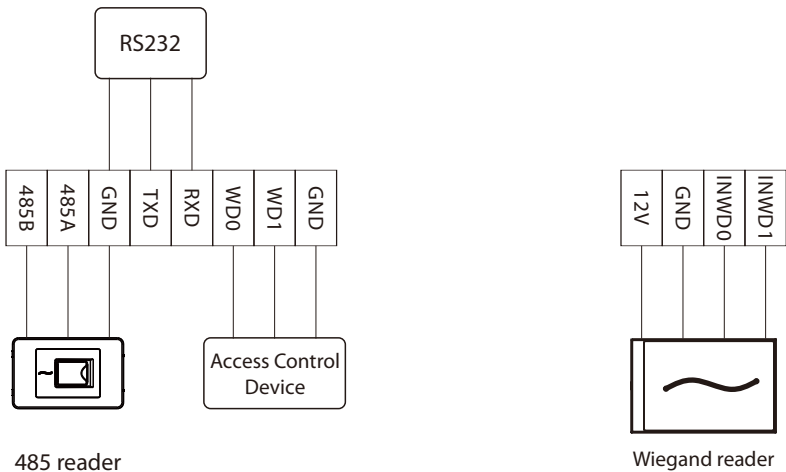
- 4 Drill holes with an electric drill, implant two screws into the ground to fix the device, then cover back the metal cover, and finally tighten the four screws.



## 4. Door Sensor, Exit Button & Alarm Connection



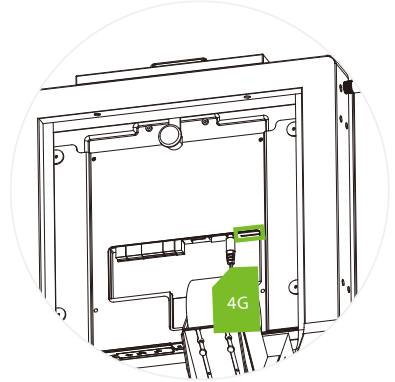
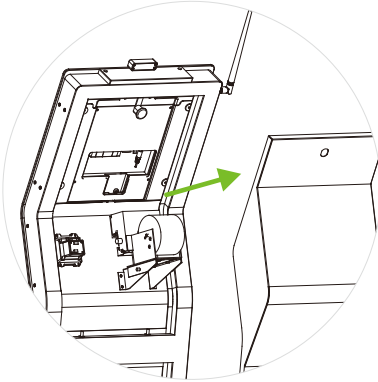
## 5. Access Control Device Connection



## 6. 4G, Ethernet and WiFi Connection

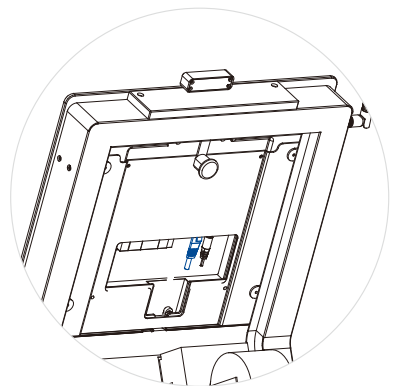
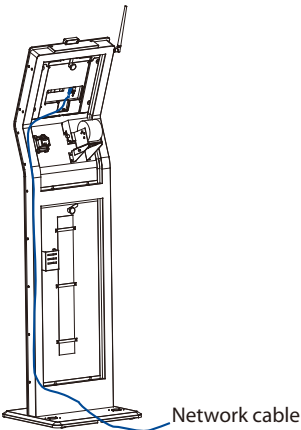
### ❖ 4G Connection

Open the back cover of the device, insert the SIM card, and the device will be automatically configured for 4G network.



### ❖ LAN Connection

Plug in the network cable. Then set the network parameters on the device.

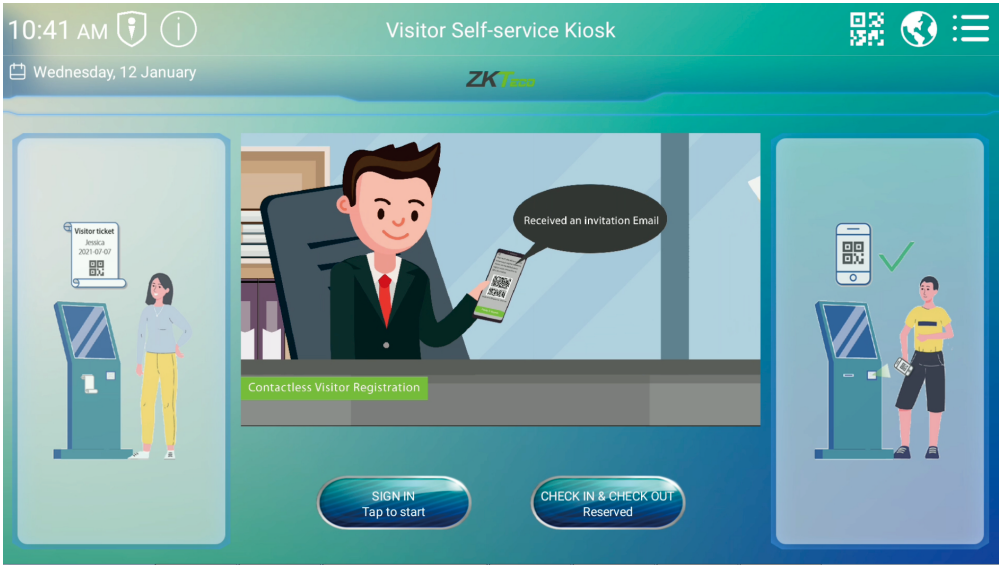


### ❖ Wi-Fi Connection

Tap **[System Settings] > [Network Settings] > [Wi-Fi Settings]**, and enable the Wireless network.

**Note:** The network parameters can be set in the Android interface, or in the software service. Refer to 10. Software Basic Settings

# 7. Interface Introduction



The status of the connection between the device and the server, if the connection is not successful, a red flag will be displayed.



Tap on to view the device information and the hardware module connection status.



Tap on to open the QR Code self-registration.



Tap on to change the software language. The device supports English, Thai, Latin Spanish, Russian, Japanese, Portuguese and Chinese.



Tap on to open the Main menu.



Tap on to register visitors operation.



Tap on to check in or check out a visitor.

# 8. Operational Procedure

## ❖ Visitor Self-registration Methods

1) Register on the reception desk device.



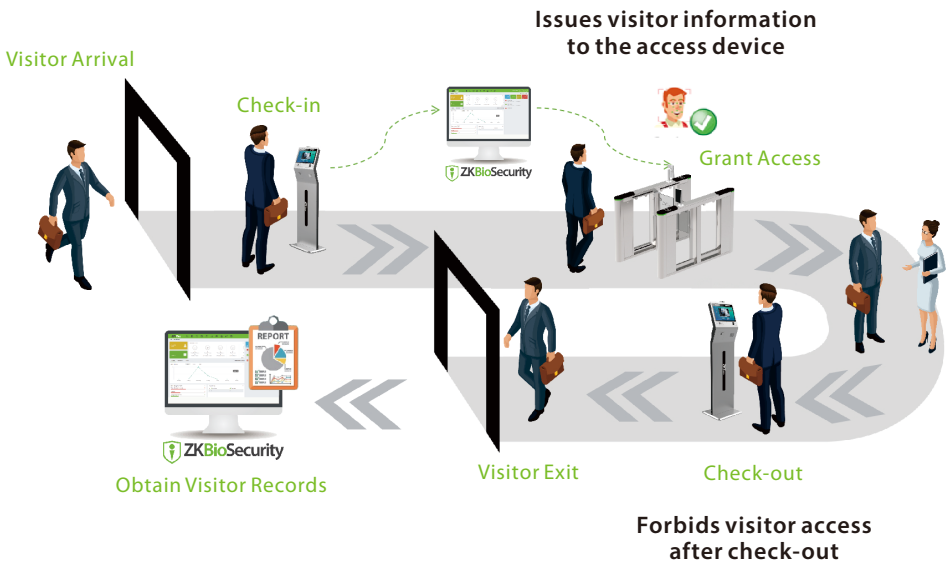
2) Scan the QR Code to register via Mobile phone.



### Note:

The visitor can register by scanning the QR Code on the reception desk device or the QR Code on the invitation E-mail sent by the system in advance.

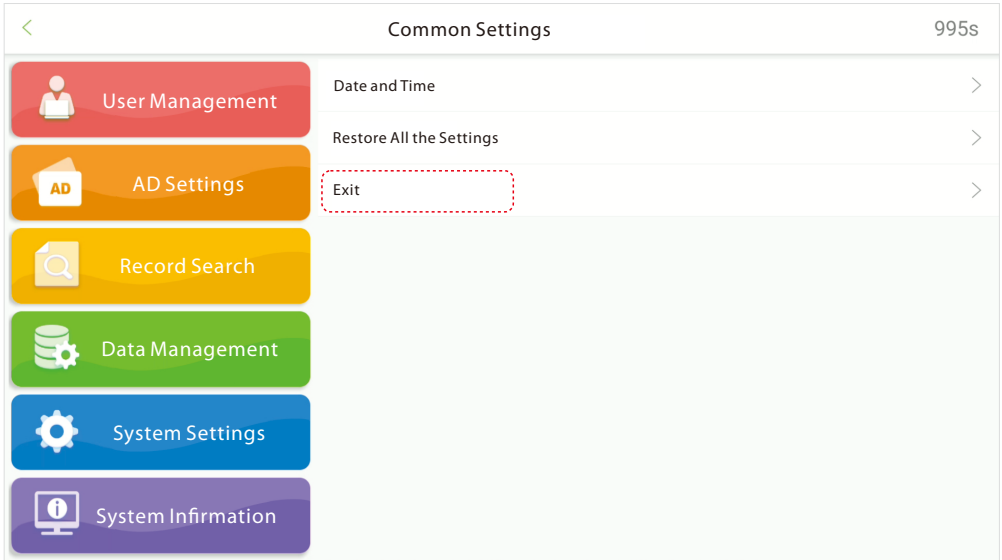
## ❖ Process Overview





## 9. Clear the Data

Tap on **[System Settings]** > **[Common Settings]** > **[Exit]** to exit the software. In the Android system settings, find the two APKs in the application center, and click clear data to clear the cache.



### Application



ZKBioLobby  
Installed

Clear Data

ZKBioLobby  
Do you want to clear data?

CANCEL

OK



# 10. Software Basic Settings



After completing the following simple steps, the device will be ready to use for visitor management.

## ❖ Settings on Device

Tap on **[System Settings]** > **[Communication Settings]** > **[Ethernet Setting]** to set the network parameters.

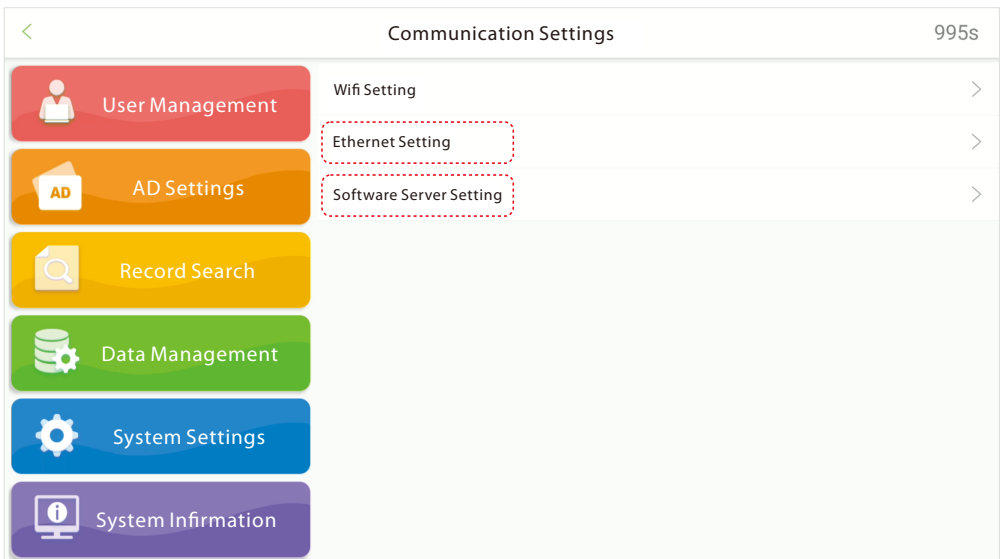
Tap on **[System Settings]** > **[Communication Settings]** > **[Software Server Setting]** to set the server address and server port, that is, the IP address and port number of the server after the software is installed.

Set the Server details on device. E.g: `http://192.168.161.12:8098`









**Server Address:** 192.168.161.12

**Communication Port:** 8088












**Server Port:** 8098



Ethernet Setting 995s

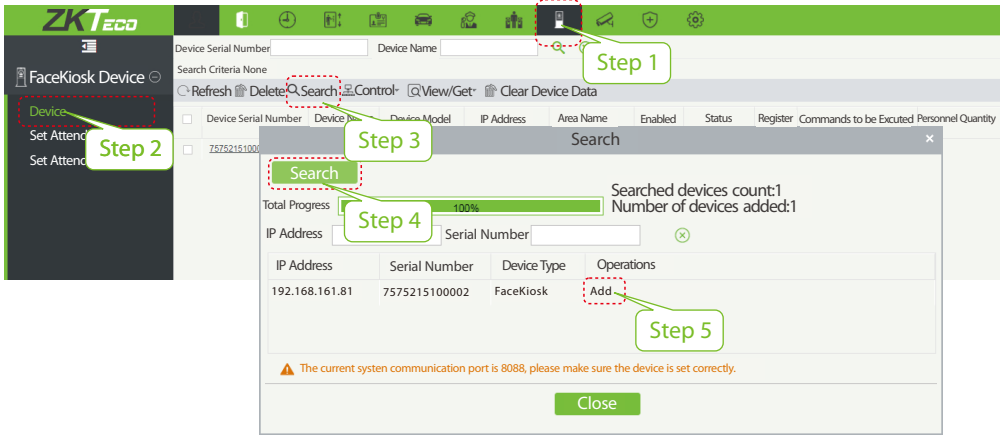
 User Management	Enable Ethernet <span style="float: right;"><input checked="" type="checkbox"/></span>
	DHCP <span style="float: right;">Manual &gt;</span>
 AD Settings	IP Address <span style="float: right;">192.168.163.99</span>
 Record Search	Subnet Mask <span style="float: right;">255.255.255.0</span>
 Data Management	Gateway Address <span style="float: right;">192.168.163.1</span>
 Data Management	DNS <span style="float: right;">114.114.114.114</span>
 System Settings	TCP Comm. Port <span style="float: right;">4370 </span>
 System Information	

Software Server Setting 995s

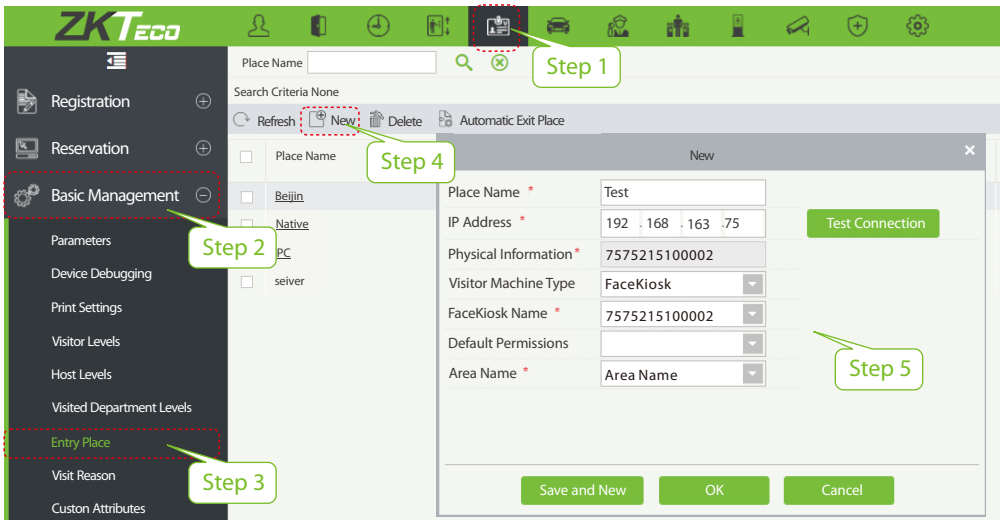
 User Management	Server Type <span style="float: right;">ZKBioSecurity </span>
	Server Address <span style="float: right;">192.168.161.12 </span>
 AD Settings	Server Port <span style="float: right;">8098 </span>
 Record Search	Communication Port <span style="float: right;">8088 </span>
 Data Management	HTTPS <span style="float: right;"><input type="checkbox"/></span>
 Data Management	
 System Settings	
 System Information	

## ❖ Settings on ZKBioSecurity

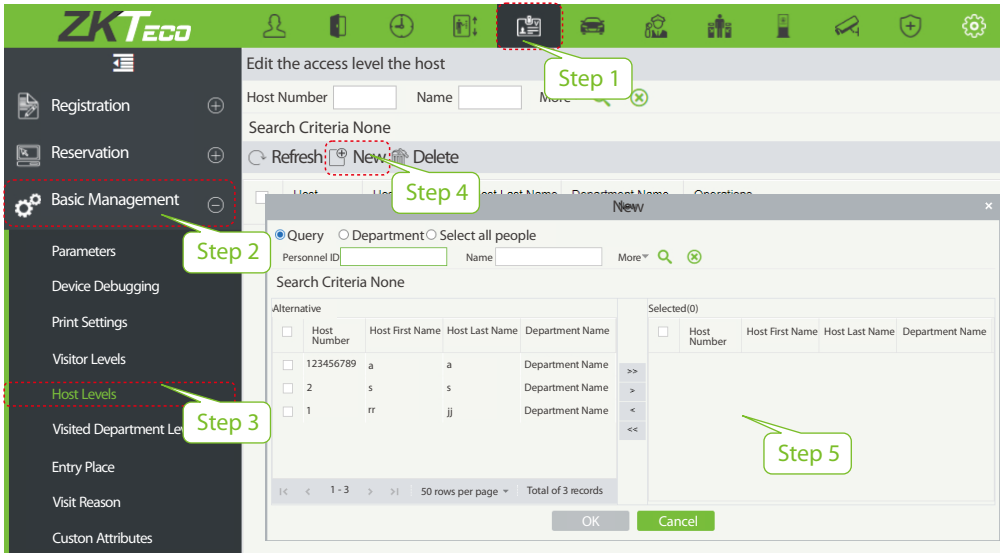
Add the device to the FaceKiosk Module of the software. Open the ZKBioSecurity software then select **[FaceKiosk] > [Device] > [Search] > [Add]**.



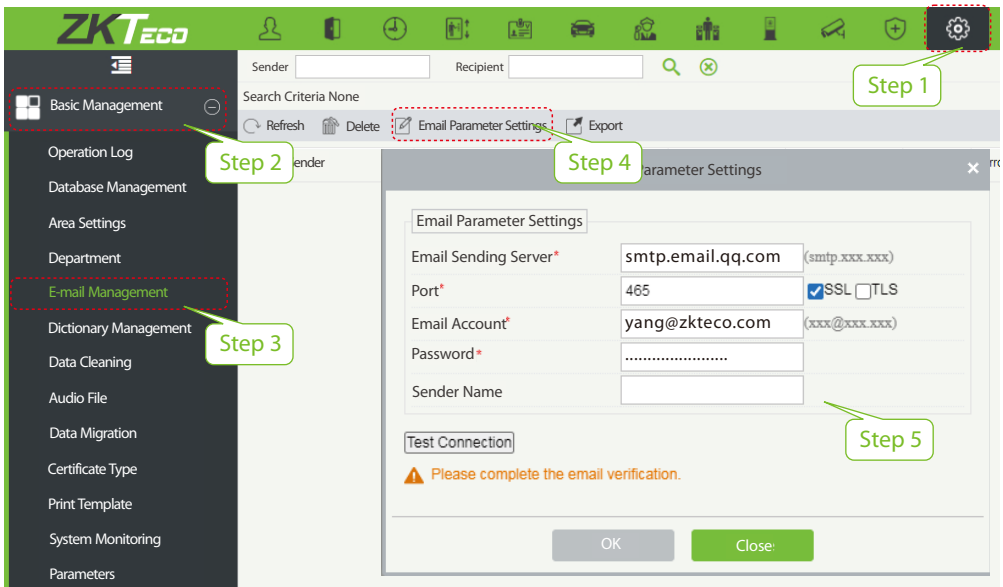
Set the device as an Entry device. Click **[Visitor Module] > [Basic Management] > [Entry Place] > [New]**.



Select an employee as the host. Click **[Visitor Module] > [Basic Management] > [Host Levels] > [New]**.



Add the sender's mailbox to the software. The system will send an Email through the sender's mailbox. Click **[System] > [Basic Management] > [E-mail Management] > [Email Parameter Settings]**.



**Note:** For details, please refer to *FaceKiosk-H13 Series User Manual*.

ZKTeco Industrial Park, No. 32, Industrial Road,

Tangxia Town, Dongguan, China.

Phone : +86 769 - 82109991

Fax : +86 755 - 89602394

[www.zkteco.com](http://www.zkteco.com)

